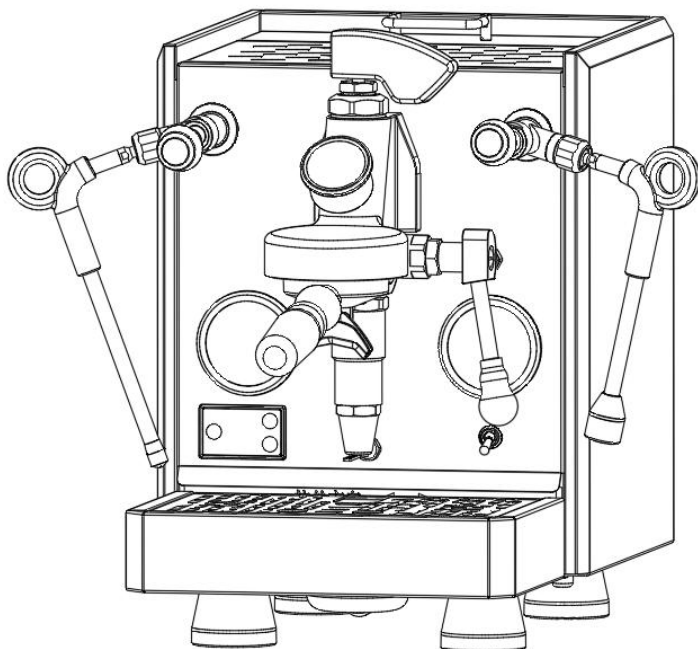


Espresso coffee maker



Instruction manual

CB-M992

The product design shall be subject to the real object

Please read the manual carefully before using the product and keep it for future reference

Guangdong Careforcafe Coffee Equipment Co., Ltd

1 IMPORTANT SAFEGUARDS

Before using machine always carefully read and comply with all these instructions. We cannot accept any responsibility for the consequences of improper use.

1. Check voltage to be sure that the voltage indicated on the name plate agrees with your voltage.
2. This machine must be connected to a grounded outlet.
3. Close supervision is necessary when the appliance is used by people. Place the machine out of the reach of children and persons with limited capabilities.
4. Do not place the machine close to the fire source to avoid any damage.
5. Unplug from outlet when not in use and before cleaning. Allow to cool before putting or taking off parts, and before cleaning the appliance.
6. The appliance should be placed on table or flat place .Do not place the machine on the edge of desk or table.
7. Some parts temperature will be very high when machine is working, example steaming pipe, steaming nozzle, funnel holder. Do not touch any hot parts to avoid scald.
8. To protect against fire, electric shock and injury to persons, do not immerse cord, plugs, or body of machine in water or other liquid.
9. Once the fault, defect or machine drop caused by suspicious defect, unplug the power plug immediately, do not operate on the problem machine.
10. If the power cord is broken, In order to avoid danger, the maintenance must be replaced by professionals from the maintenance department.
11. Do not use outdoors.

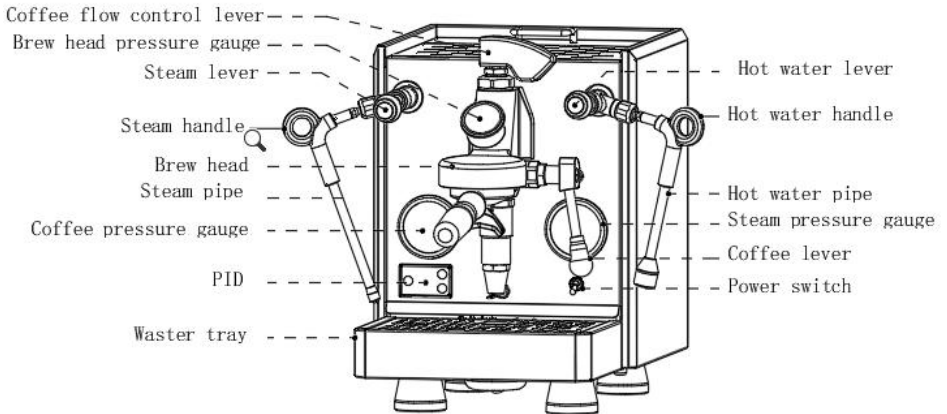
12. **SAVE THESE INSTRUCTIONS**

13. Machine use condition:

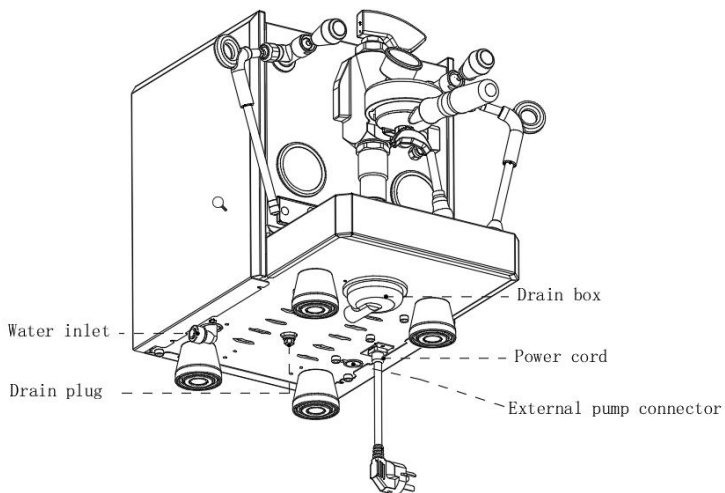
- Voltage: 120V 0Hz
- Water: Pure water and distilled water cannot be used. Use the softened water
- Room temperature: 1°C-55°C

2 Know about your machine

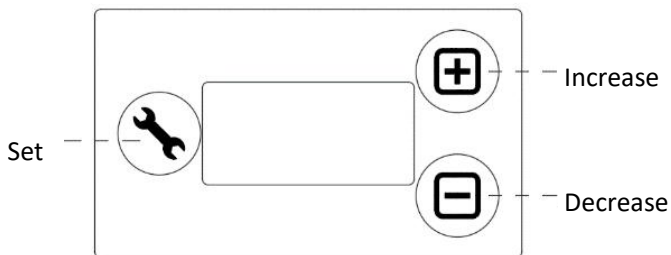
2.1 Product



size: W430 ×H433 × D365 mm



2.2 PID



3 First time to use

Take out the coffee machine and open the package, make sure all the accessories are completed.

- Take out the water tank and porta filter holder for cleaning.
- Remove the stickers or plugs (red) that are fixed on the machine;
- Put the water to the water tank to the max.level.

4 Use the coffee machine

4.1 Open the machine

- Turn on the power switch;
- Machine will pump the water automatically and hear the sound of pump working.
- After finish pump up the water, the machine inside will start preheating, the display will show the boiler preheating temperature. The steam manometer will also goes up when under preheating.
- When heating to the setting temperature, the machine inside will stop preheating.
- For the first time or when the display shows the boiler temperature is 25 degree, the preheating time will be approx. 15mins.

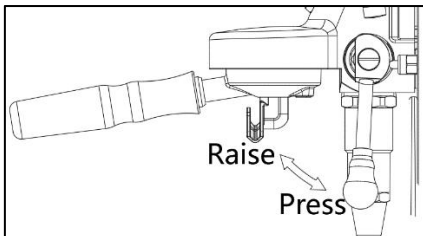
Note: Even the preheating is not finish, the machine can also make coffee, but the coffee or hot water temperature will be low.

4.2 Making coffee

Note: If the coffee powder is too fine it would cause the coffee can not come out. If the coffee powder is too much, it would cause the porta filter holder can not be fixed and coffee will be leakage from the edge of holder.

Please do not touch the hot surface to avoid scalded.

- Put the coffee powder to the filter and press.
- lock the filter holder counterclockwise into the middle of the brew head (must be tightened);
- Put the coffee cup under the filter.
- Raise the handle,when the coffee amount comes out as you need, press down the handle, the coffee will stop.



-

- Remove filter holder after finished, knock it out and clean it with hot water immediately, and lock it again for next use.

4.3 Making hot water

- When the steam manometer show the digital more than 0, turn on the hot water knob with anti-clockwise, the hot water will come out.
- When finish making hot water, turn off hot water knob with clockwise and stop making hot water.

Note: When finish making hot water, please do not touch the hot water pipe immediately to avoid scalded. When move the hot water pipe, please hold the black handle part

Note: When making hot water, if the temperature displayed on the display is less than 100 degrees, the speed of hot water may be reduced or even no hot water can be produced.

4.4 Making steam

- When the PID show the temperature value more than 100, turn on the steam knob with anti-clockwise, the steam will come out.
- When finish making steam, turn off steam knob with clockwise and stop making steam.

Note: The temperature is very hot on the surface of steam pipe, please do not touch to avoid scalded. When move the steam pipe, please hold the black rubber on the steam pipe.

4.5 Turn off the machine

- At any time, turn off the knob can turn off the steam/hot water function, press down the handle can stop making coffee function.
- When the machine is turned off and no use, please also turn off the power switch.
- If the machine need transportation or long time no need to use, please drain the water from boiler, the drain plug is under the machine.

Note: When the PID show the temperature value more than 60, please do not drain the water to avoid the hot water scalded. Please turn off the machine for 2 hours and start to drain the water.

4.6 Antifreeze steps

Note: in order to prevent the water in the boiler get freezing and causing the


boiler to crack, when using the coffee machine where the room temperature will be lower than the freezing point temperature, the following anti freezing steps must be followed before shutting down the coffee machine every day.

- After finishing coffee and before turning off the machine, please empty the water from the water tank.
- turn off the main power switch ,Raise the coffee handle, the water comes out until no water, press down the handle.

5 Setting


5.1 Basic operation

After the boot, by pressing the key  on the display screen, you can switch


between the following Settings, switch to the last item, and then press the key  to exit the setting mode;

After selecting a setting, press the "+/-" key on the display screen to adjust the parameter;

5.2 Pre-infusion time

- Press the key  . When PXX is flashing (XX: stands for pre-infusion time), the pre-infusion time adjustment mode is entered.
- Press the +/- key to select the parameters. The value ranges from 00-30 seconds (P00-P30). The default value is P02.

5.3 Boiler temperature

- Press the key  , the number stands for the boiler temperature,
- you can press "+/-" to adjust the temperature, the temperature range will be 80-135°C. The default value is 125 ° C.


5.4 ECO mode

- Press the key  ,When "ECX" is flashing (ECX means Dormancy time, range from

EC1-EC5),

- you can press the "+/-" to choose EC1(35mins) / EC2(60mins) / EC3(90mins) / EC4(180mins) / EC5(close the ECO mode). The default value is EC1.
- When the machine goes to ECO mode, the display will show ECO(all the electricity will off), press any key again,the machine starts working again.

5.5 Water sources selection

- Press the key . When FX flashing (X indicates a number), the water source selection mode is displayed.
- Press +/- to switch to F0/F1/F2. (F0 indicates tank water supply, F1 indicates external water source, F2 is to choose the water pump outside the machine to supply water), the default is F0.
- When F0 is selected, make sure that the tank is filled with water.
- When F1 is selected, make sure that the external water connector is connected to the water pipe, keep the water running smoothly.
- Note: Please use softened water, hard water will reduce the life of the pipe. Also do not use distilled water, which will cause the water level detection inside the machine to fail.
- Note: The water pressure of the external water source should be greater than 0kg and less than 3kg; If you use an unpressurized water source (such as barreled water), it will cause the water to slow down, or even no water to be pumped.

6 Trouble shooting

Problem	Cause	Solution
Turn on the machine and always pumping water	no/lack of water in the water tank	refill the water
	The drain water valve is open, the water comes out.	close the drain water valve
	Machine malfunctions	Please contact with the authorized service

Water leakage on the table	connector is leakage	change the connector or seal ring
	leakage from the inside of machine	Please contact with the authorized service
Coffee overflow from the edge of funnel seal	Too much coffee powder in filter	Clean the filter, then pour appropriate coffee powder
	Coffee powder remained in the seal under group head	Clean the seal under group head
	the seal ring is broken	change the seal ring
No coffee comes out	coffee powder is too fine, with maximum pressure still no coffee comes out	Use more coarse coffee powder
	Machine inside broken	Please contact with the authorized service
No hot water comes out	Machine is under pre-heating, temperature is low and pressure is also low.	Wait until the preheating is finished
No steam comes out	Machine is under pre-heating, temperature is low and pressure is also low.	Wait until the preheating is finished
	steam spout is blocked	Turn off the steam spout, clean or change it.
Display show F3	Lack of water from water tank or not put it in correct position	refill the water and check the position
Display show E1	NTC has problem	check if the machine is used in room temperature lower than 0 degree and Please contact with the authorized service

Display show E2	After heating the heating element for one hour, the temperature of the water is detected to rise by less than 1 degree Celsius. Abnormal heating element!	Turn off the power switch, wait about 5 seconds, then turn on the machine. You can try it several times in a row. If still not solved, you need to contact the after-sales personnel.
Display show E3	The pump has pump up the water more than 3mins continually / Solenoid valve for steam has worked for more than 15mins continually.	Turn off the coffee function or main power switch
Display show E9	The continuous working time of the heating element is too long	Check that the steam handle and hot water handle are closed Contact professional maintenance personnel

Note: If you have not been able to solve the problem, contact customer support in your country.

7 Clean and maintenance

7.1 The machine has to be switched off and cooled down before cleaning.

7.2 Clean housing with damp cloth or neutral detergent.

7.3 Remove porta filter holder, pour out coffee grounds, and then clean it

7.4 Cleaning mineral deposits

- The machine will accumulate lime scale deposits after use a period time, in order to ensure the normal use of machine, you need descale the machine every 2-3months;
- Pour water and descale in water tank (about 2.5L, water and descale ratio is 4:1, follow the instruction of descale. Please use “household descale”, or you can use the citric acid replace descale (water and citric acid ratio is 100:3)

- Open the coffee machine to make hot water or coffee for many times until the descaling water is finished
- Turn off the machine, open the drain water valve and drain the water.
- Refill the purified water to the water tank, turn on the machine, making hot water or coffee for many times.
- Cleaning is finished

8 Environmental protection list

Name and content of harmful substances in products						
Parts	Hazardous substance					
	(Pb)	(Hg)	(Cd)	(Cr(VI))	(PBBs)	(PBDEs)
Plastic	○	○	○	○	○	○
Metal	○	○	○	○	○	○
Power cord	×	○	○	○	○	○
Electrical part	×	○	○	○	○	○
Package	○	○	○	○	○	○

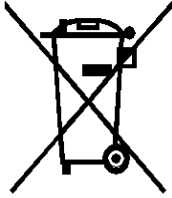
This form is prepared in accordance with SJ / T 11364.

○: it means that the content of the hazardous substance in all homogeneous materials of the part is within the limit specified in GB / T 26572.

×: it means that the content of the hazardous substance in at least one homogeneous material of the part exceeds the limit requirements specified in GB / T 26572.

Note: some of the components marked with "×" contain harmful substances which are beyond the standard due to the current technical level, so it is unable to replace or reduce them temporarily.

9 Disposal



Please dispose of old machines in an environmentally neutral way.

Old machines contain valuable materials which should be salvaged for recycling. Please therefore dispose of old machines via your regional collection system.